



TM

# Uni-Tech Valves & Pneumatics

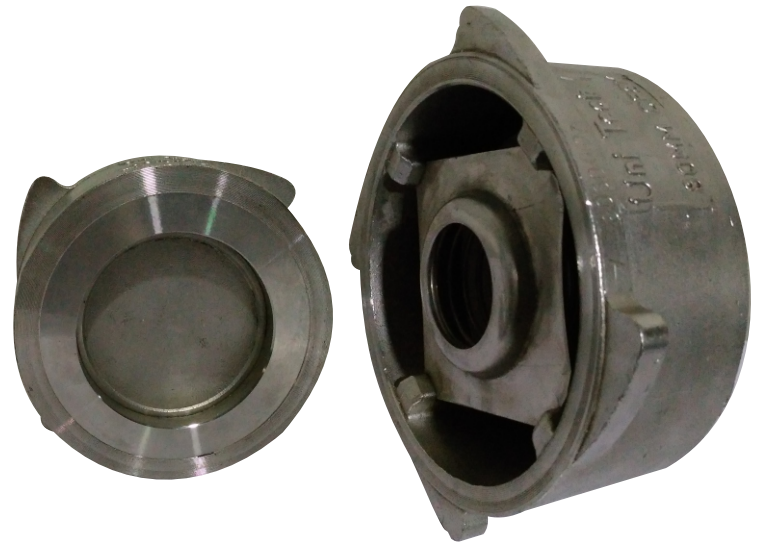
## ISO 9001 - 2008

**DISC TYPE CHECK VALVE****MODEL NO :  
UTDCV****REFERENCE STANDARDS**

Design : BS 7438  
 Face to Face : ASME B16.10  
 Testing : API 598

**DESIGN FEATURES**

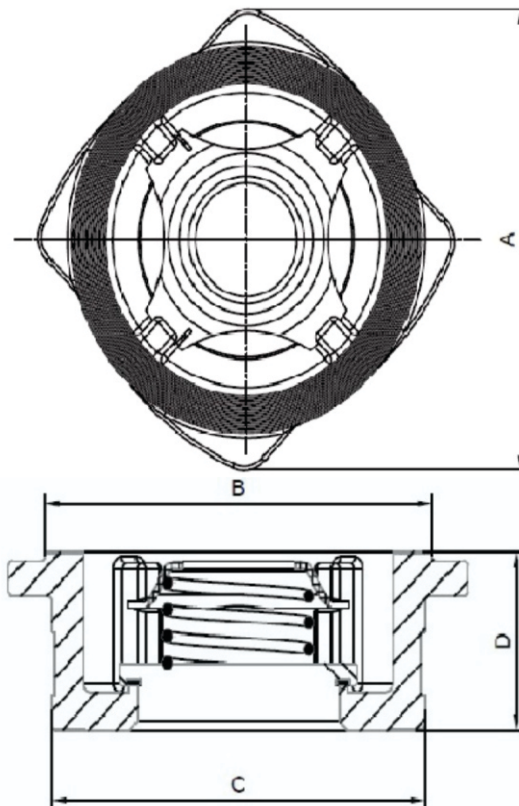
Size Range : 15 NB to 150 NB  
 Pressure Rating : PN 10/ Class 150  
 Seat Leakage : Class VI - Soft Seat  
 Operation : Self Acting  
 Operating Temp. : -25.C to 200.C

**TECHNICAL SPECIFICATION**

Body & Disc : A351 GR. CF8/CF8M  
 Seat : Metal / PTFE  
 Spring & Lock : SS 316

**DIMENSIONS (mm)**

SIZE	A	B	C	D
15	60	15	38	16
20	70	20	47	20
25	80	25	55	25
32	91	32	67	28
40	101	40	76	32
50	115	50	93	40
65	142	65	109	46
80	154	80	128	50
100	184	100	148	60
125	194	125	172	70
150	230	150	202	74

**APPLICATIONS**

Oil Refineries, Chemical & Solvent Industries  
 Petrochemical Industries  
 Process Industries Compressed Air/ Gas/ Water/ Steam

**Uni-Tech Valves & Pneumatics**

Plot No - 6235, Road No : 62, GIDC Sachin Surat. 394230, Contact : +91- 261-2398605/2398602, Mob : 9904000336  
 Email : utvalves@yahoo.com  
 unitechvalves@yahoo.com

[www.unitechvalves.com](http://www.unitechvalves.com)